

SIZE	PART NUMBERS			
	STANDARD		DYNAMIC	
	FLAT-MOUNT	CINCH-MOUNT	FLAT-MOUNT	CINCH-MOUNT
XX-SMALL	SH250XXS-B1	SH250XXS-B2	SH270XXS-B1	SH270XXS-B2
X-SMALL	SH250XS-B1	SH250XS-B2	SH270XS-B1	SH270XS-B2
SMALL	SH250S-B1	SH250S-B2	SH270S-B1	SH270S-B2
MEDIUM	SH250M-B1	SH250M-B2	SH270M-B1	SH270M-B2
LARGE	SH250L-B1	SH250L-B2	SH270L-B1	SH270L-B2
X-LARGE	SH250XL-B1	SH250XL-B2	SH270XL-B1	SH270XL-B2

note

description

**PIVOTFIT HARNESS, FRONT-PULL, TECHNICAL SPECS**

drawing no.

**D13-0417-30**

date originated

4/17/2013

drawn by

D. HAGAN

rev.



MAXIMUM LENGTH

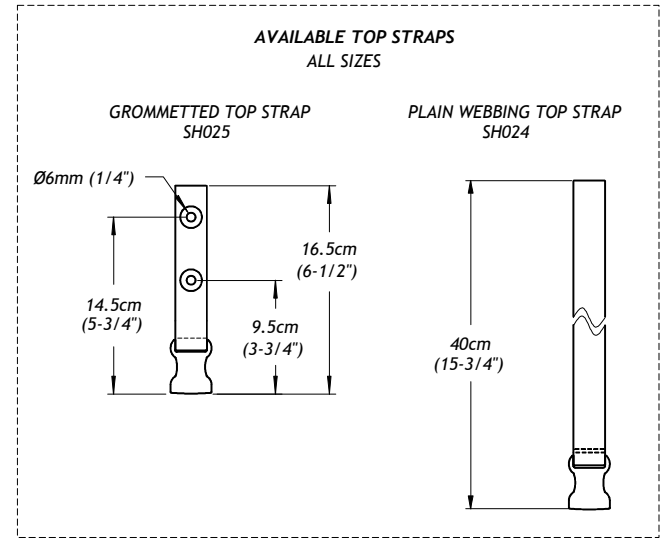
XX-SMALL	9cm (3-1/2")
X-SMALL	
SMALL	11.5cm (4-1/2")
MEDIUM	
LARGE	14cm (5-1/2")
X-LARGE	

MINIMUM LENGTH

1cm (1/2")  
ALL SIZES

PAD LENGTH

XX-SMALL	24.5cm (9-5/8")
X-SMALL	28cm (11")
SMALL	32.5cm (12-3/4")
MEDIUM	37cm (14-5/8")
LARGE	42.5cm (16-3/4")
X-LARGE	49cm (19-1/4")



LOWER STRAP LENGTH

XX-SMALL	40.5cm (16")
X-SMALL	
SMALL	51cm (20")
MEDIUM	
LARGE	61cm (24")
X-LARGE	

COMBINED PAD WIDTH  
RANGE

XX-SMALL	11.5 - 19cm (4-1/2 - 7-1/2")
X-SMALL	12.5 - 20.5cm (5 - 8")
SMALL	14 - 24cm (5-1/2 - 9-1/2")
MEDIUM	15 - 25.5cm (6 - 10")
LARGE	17 - 30cm (6-3/4 - 11-3/4")
X-LARGE	19 - 32cm (7-1/2 - 12-1/2")

note

description

**PIVOTFIT HARNESS, FRONT-PULL, TECHNICAL SPECS**

drawing no.

**D13-0417-30**

date originated

4/17/2013

drawn by

D. HAGAN

rev.

**B**