

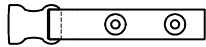
PART NUMBERS

WITH ZIPPER SIZE	STANDARD	NARROW
SMALL	SH310S	----
MEDIUM	SH310M	SH330M
LARGE	SH310L	SH330L
X-LARGE	SH310XL	SH330XL

WITHOUT ZIPPER SIZE	STANDARD	NARROW
SMALL	SH311S	----
MEDIUM	SH311M	SH331M
LARGE	SH311L	SH331L
X-LARGE	SH311XL	SH331XL

TO COMPLETE YOUR PART NUMBER, SELECT THE END-FITTING OPTION BELOW:

WITH GROMMETED TOP STRAP



-B1



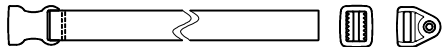
FLAT-MOUNT END FITTING 2x
HKA1-R-1

-B2



CINCH-MOUNT END FITTING 2x
HKA2-R-1

WITH PLAIN WEBBING TOP STRAP



-C2-B1

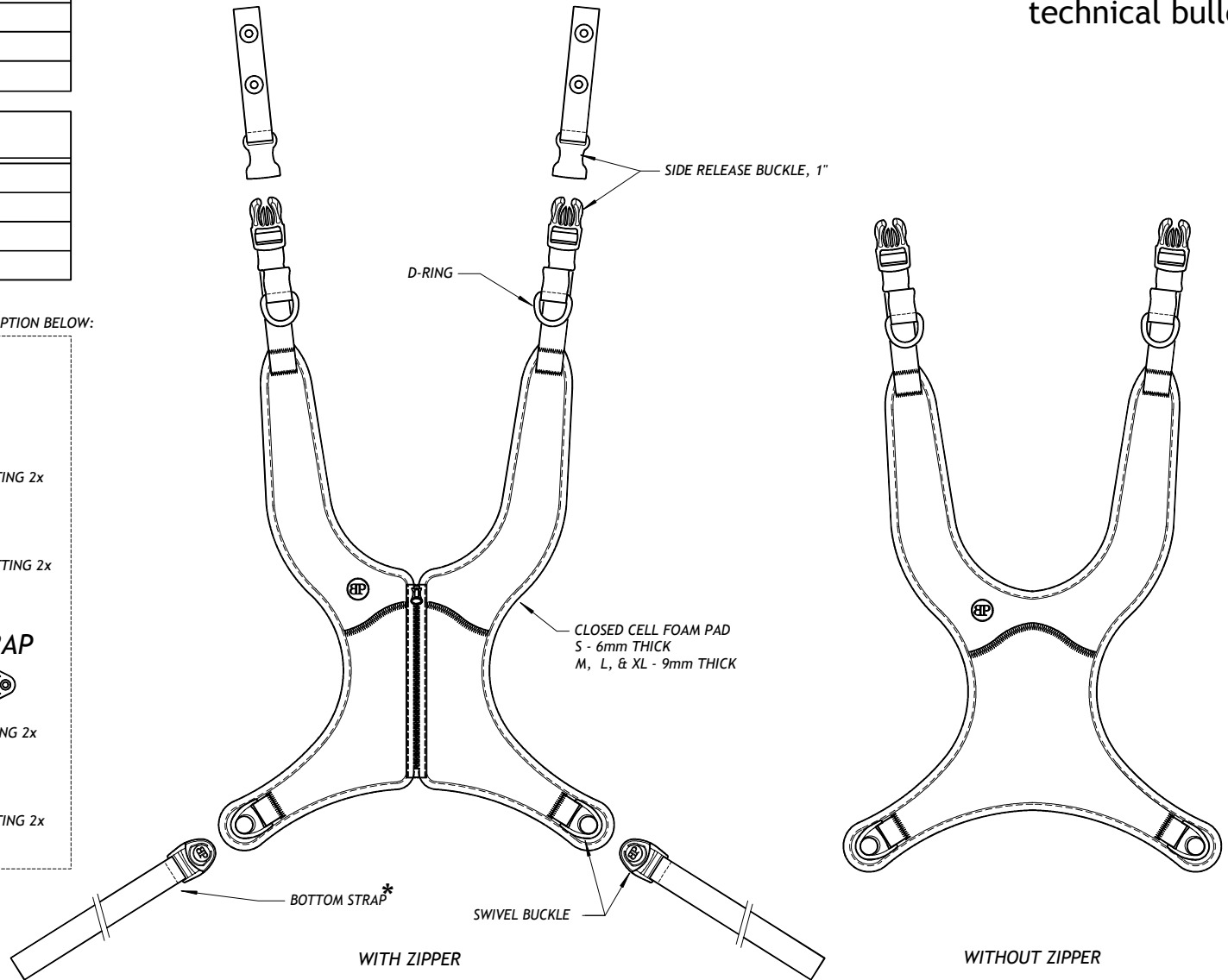


FLAT-MOUNT END FITTING 2x
HKA1-R-1

-C2-B2



CINCH-MOUNT END FITTING 2x
HKA2-R-1



SHEET 1 of 2

note

REPLACEMENT BOTTOM STRAP *		
FOR ALL STAYFLEX SIZES		
SH303XL	FITS BODYPOINT SWIVEL BUCKLE ALL STAYFLEX SOLD AFTER FALL 2013	62cm (24-1/2") LONG

description

STAYFLEX™ CHEST SUPPORT, FRONT-PULL, TECHNICAL SPECS

drawing no.

D11-0825-31

date originated

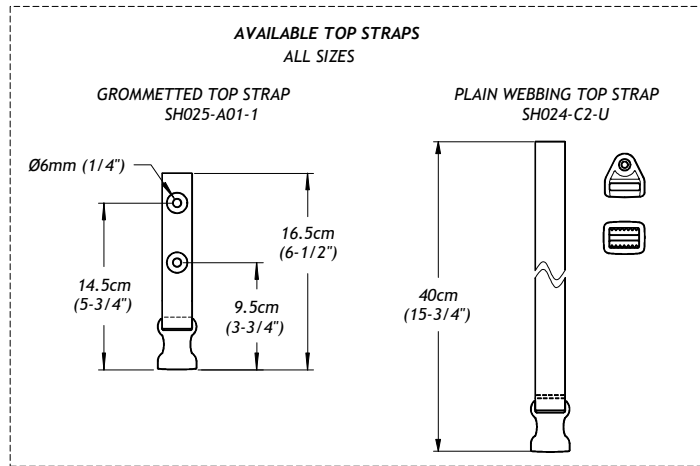
8/25/2011

drawn by

D. HAGAN

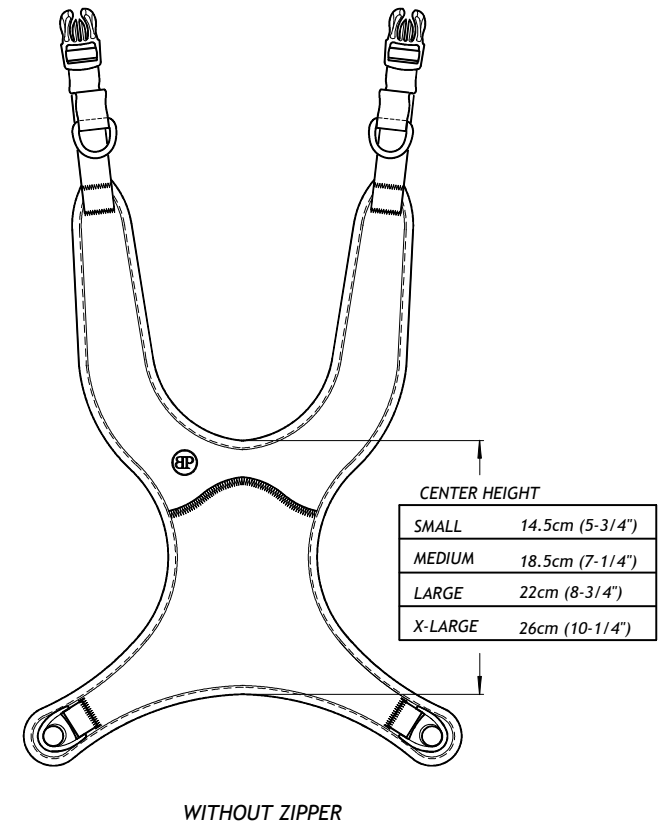
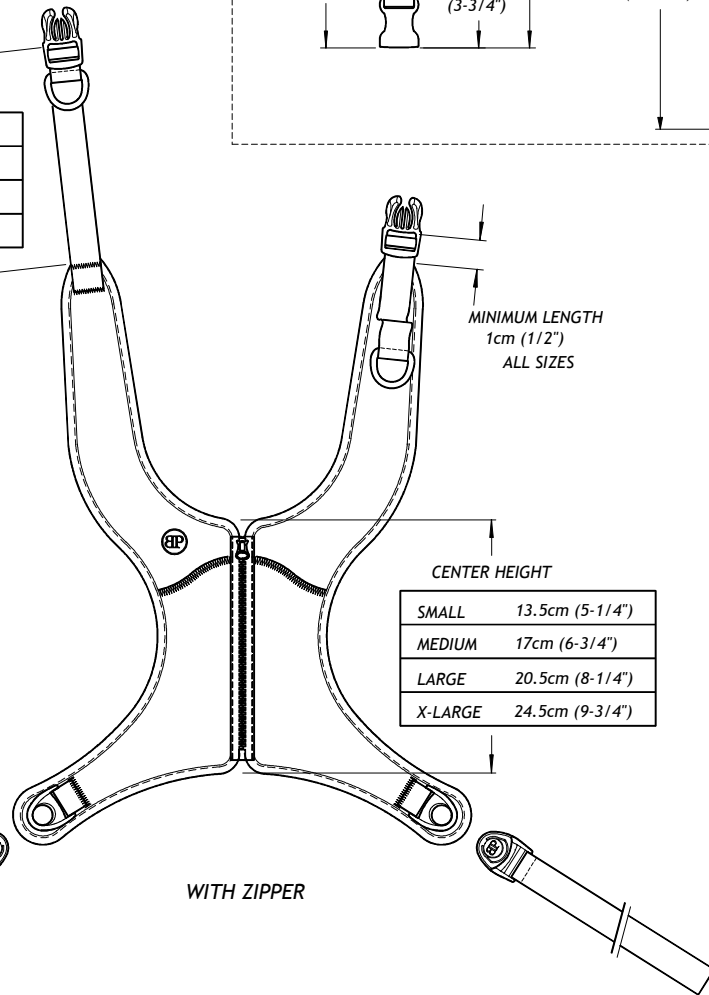
rev.

F



MAXIMUM LENGTH

SMALL	9cm (3-1/2")
MEDIUM	9cm (3-1/2")
LARGE	11.5cm (4-1/2")
X-LARGE	11.5cm (4-1/2")



SHEET 2 of 2

note

description

STAYFLEX™ CHEST SUPPORT, FRONT-PULL, TECHNICAL SPECS

drawing no.

D11-0825-31

date originated

8/25/2011

drawn by

D. HAGAN

rev.

F